

Steel FFPS3425BSS Black Stainless Steel

Steel collection faucets blend the modern look and inherent sturdiness of solid stainless steel and are perfect for today's hard-working kitchens.

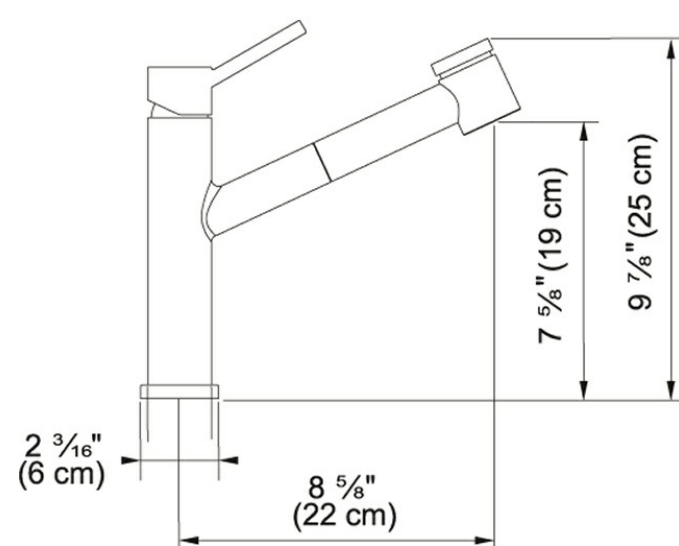
FEATURES

- Solid 304 stainless steel construction delivers corrosion resistance inside and out
- The pull-out design swivels 150-degrees for added convenience
- Dual functioning spray head effortlessly switches between powerful spray and stream, making clean-up effortless
- Single handle effortlessly controls water temperature and pressure
- ADA Compliant
- Pair with other faucets in the Franke Steel series for a consistent look throughout the kitchen

Product Picture



Technical Drawing



Product Information

Version	Pull-Out Spray
Spray Type	Spray & Stream
Faucet Operation	Top Lever
Flow Rate	1.75 gpm
Cartridge	Ceramic Cartridge
Where to buy	Showroom
Countertop hole diameter	1 3/8"

Article Numbers

FUN#	115.0619.309
US Part Number	FFPS3425BSS

